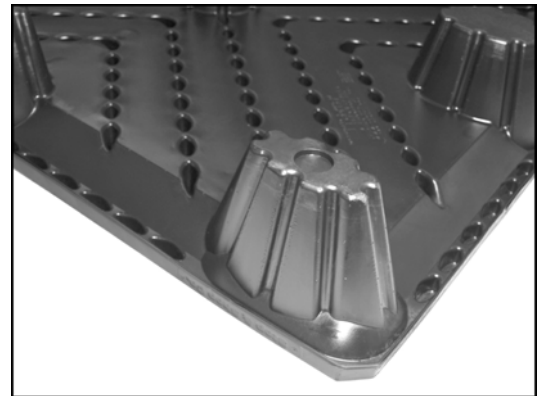


G3 Uni-Pallet® 40 x 48



G3 Uni-Pallet® Features

- **New enhanced structure substantially increases stiffness in 48" direction**
- *Beveled* bottom edge allows for easy de-stacking
- *New shock absorbing perimeter design* virtually eliminates side splitting due to the rigors of side impact and fork truck handling
- *New 45° corner design*
- *Nestable* with other plastic pallets (twin sheet and injection molded pallets) so you can upgrade your fleet to the Uni-Pallet
- *Four-way fork entry* for ease in handling with Fork Trucks and Pallet Jacks
- *Lightweight*
- *Nestable* which results in reductions in warehousing costs and freight costs
- *Drain holes* in legs to ease in cleaning and deter any collection of liquid
- *Easy to clean* flat deck surface
- *Impervious to weather* – including extreme heat or cold and UV Ray protection
- *100 percent recyclable*
- *Twin Sheet construction* eliminates the need for repair and reduces product damage
- *Conveyable*
- *Extremely durable*



G3 Uni-Pallet® Options

- Steel inserts in either or both directions
- Anti-skid surfaces available
- Custom Color(s)
- Identification Stripes
- Identify your fleet with custom name plates and company logo
- Available in various weights depending upon load requirements

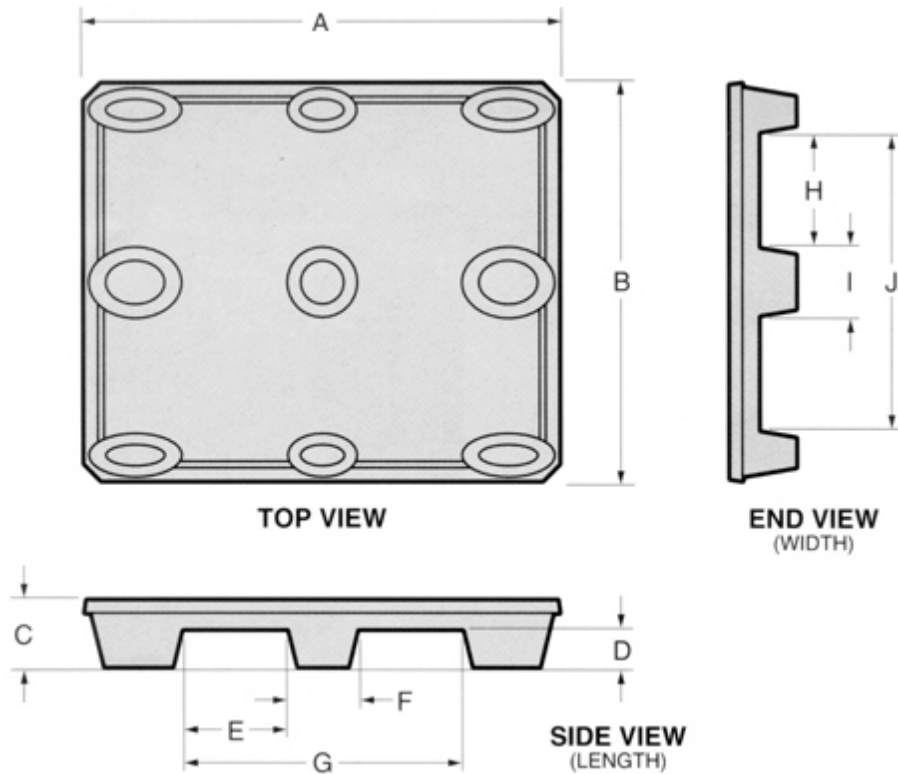
The Uni-Pallet offers outstanding economy along with its strength and durability. The space saving stacking feature and its lightweight combine to reduce a shipper's cost per trip. This produces the ultimate benefit, a quick return on investment.



We Invent Solutions.®

1-877-Shuert 1

G3 Uni-Pallet® 40 x 48



Uni-Pallet is Shuert Industries' solution to distributor's needs: A lightweight, reusable, nine-leg, 4-way entry, twin sheet pallet. Manufactured from BA50-100, high-molecular weight, high-density polyethylene co-polymer for maximum product performance.

Pallet Dimensions				
A	Overall Length	48"	F Center Leg/Length	5.9"
B	Overall Width	40"	G Overall Fork Opening/Length	29.9"
C	Overall Height	6.5"	H Fork Opening/Width	12.05"
D	Fork Opening/Height	4"	I Center Leg/Width	5.9"
E	Fork Opening/Length	12"	J Overall Fork Opening/Width	30"

Warehousing & Shipping Information	
•	Pallets nest on 2.5" centers
•	Truckload Quantity: 1200 Pallets (53' x 98' x 110') 30 Stacks of 40 Pallets
•	Truckload Quantity: 1120 Pallets (48' x 98' x 110') 28 Stacks of 40 Pallets